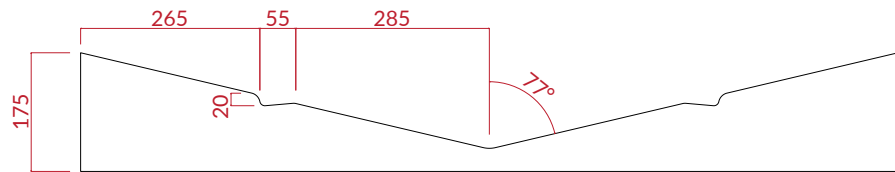
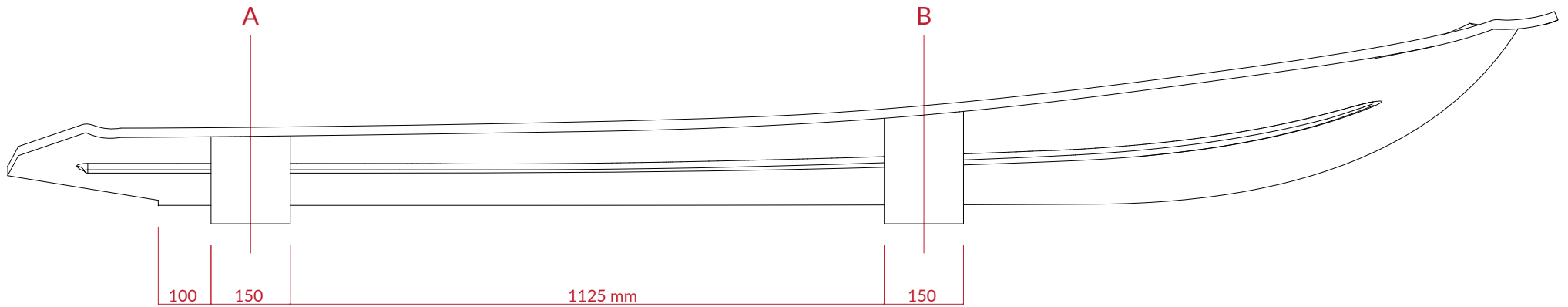
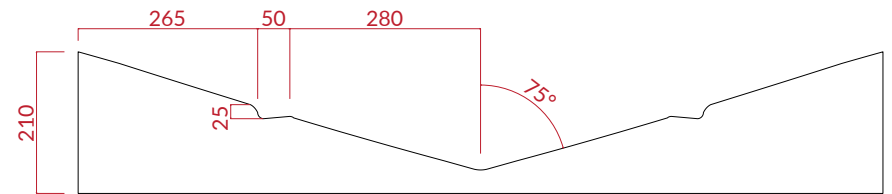


NORTHSTAR[★] AXIS 3.1



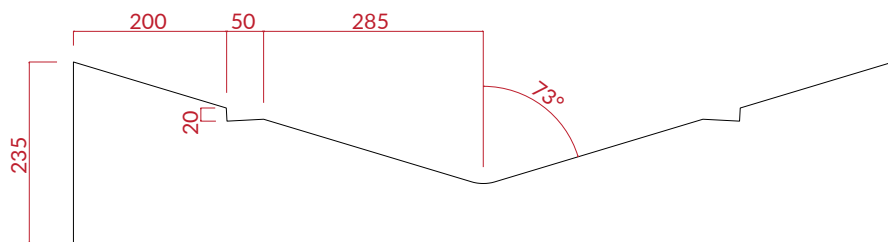
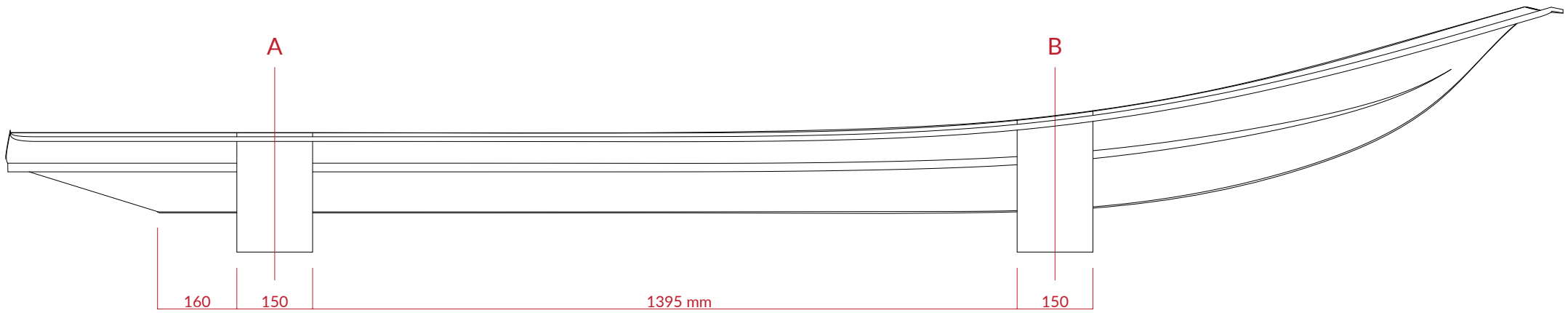
SECTION A



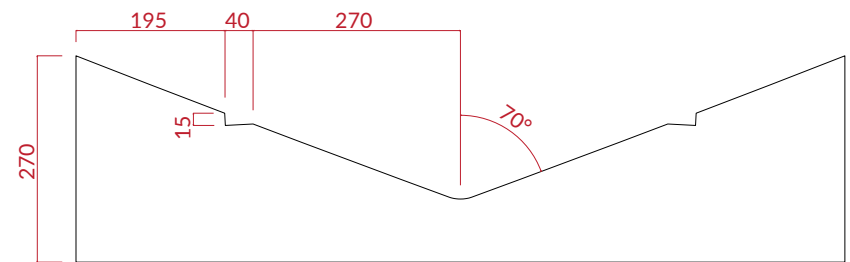
SECTION B

measurements in mm

NORTHSTAR[★] AXIS 3.4



SECTION A

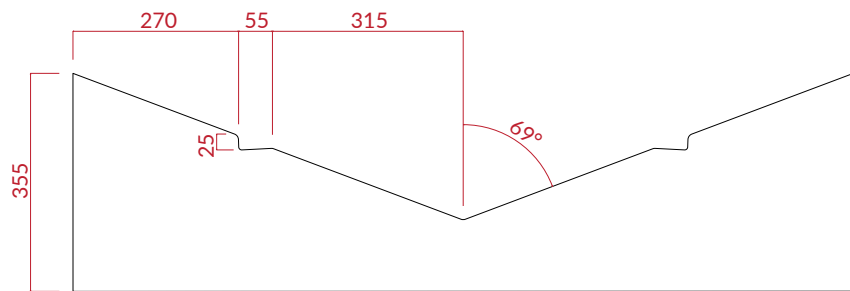
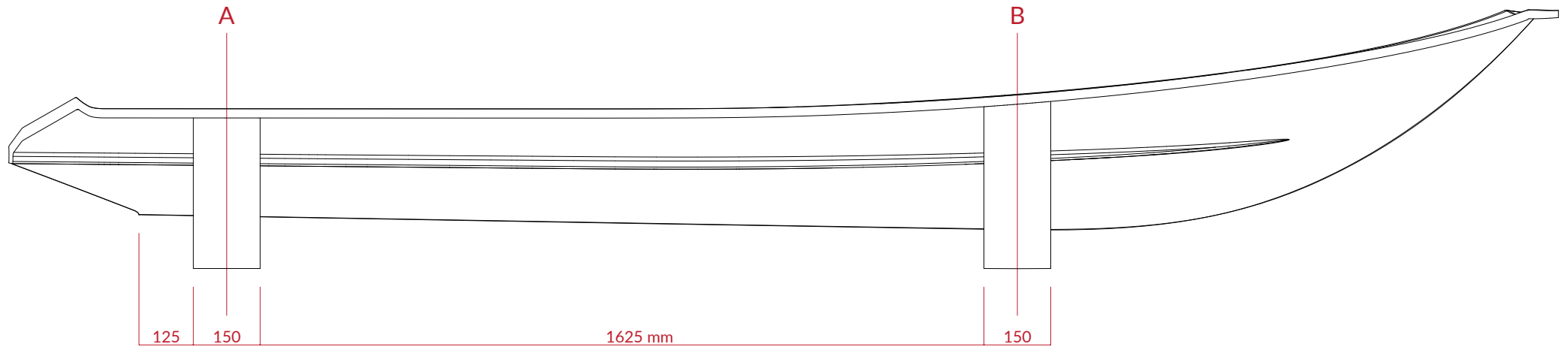


SECTION B

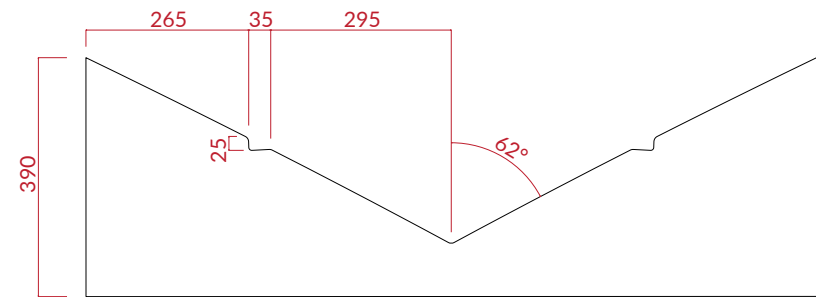
measurements in mm

NORTHSTAR[★]

AXIS 3.8



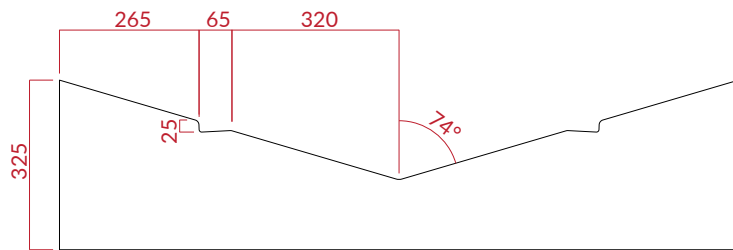
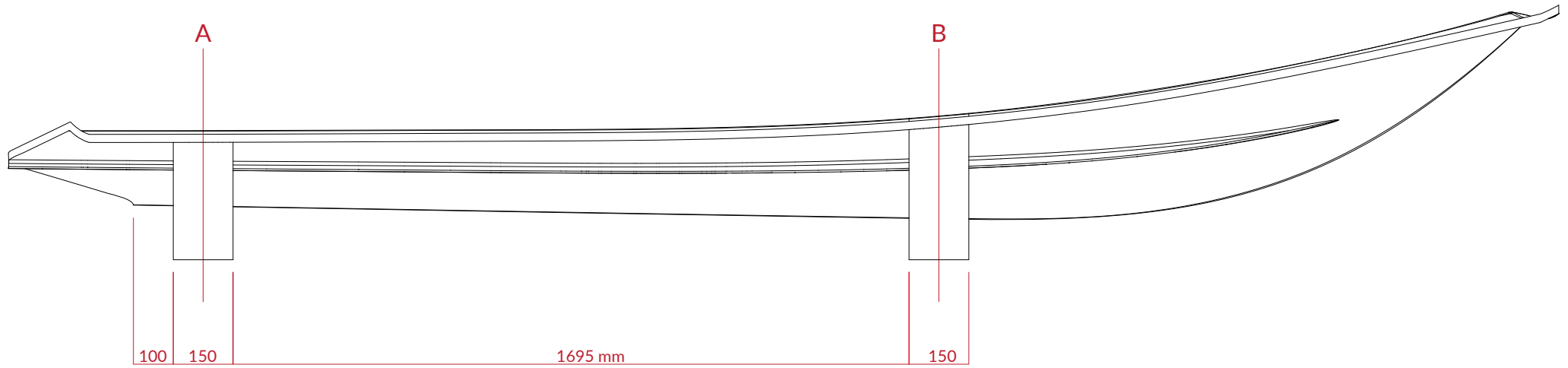
SECTION A



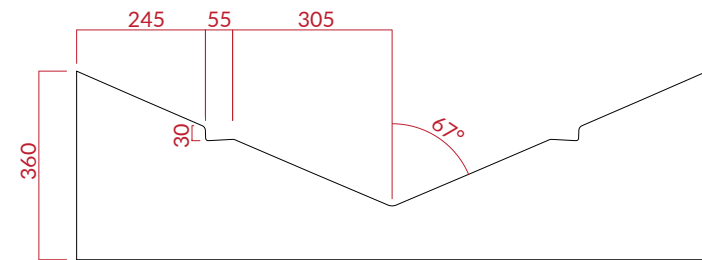
SECTION B

measurements in mm

NORTHSTAR[★] AXIS 4.2



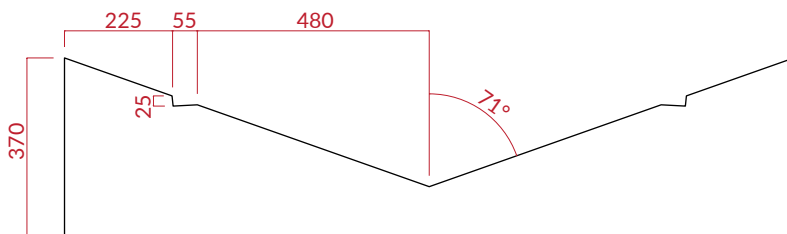
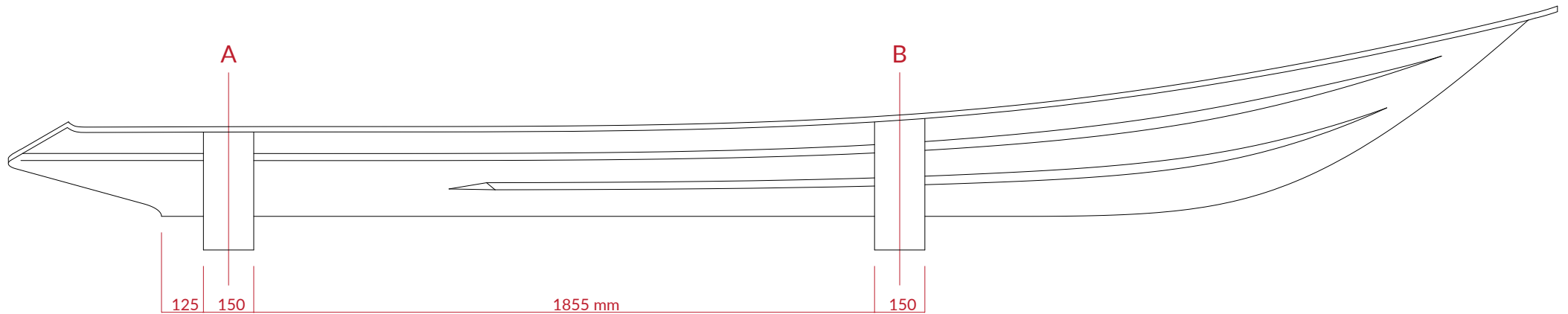
SECTION A



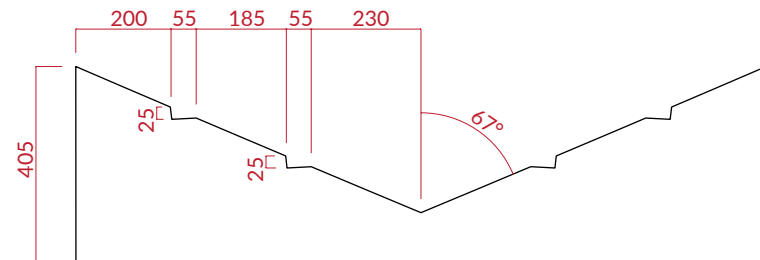
SECTION B

measurements in mm

NORTHSTAR[★] AXIS 4.8



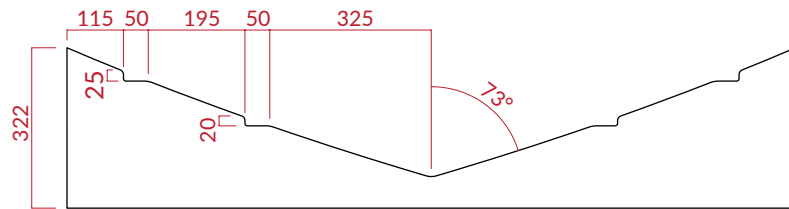
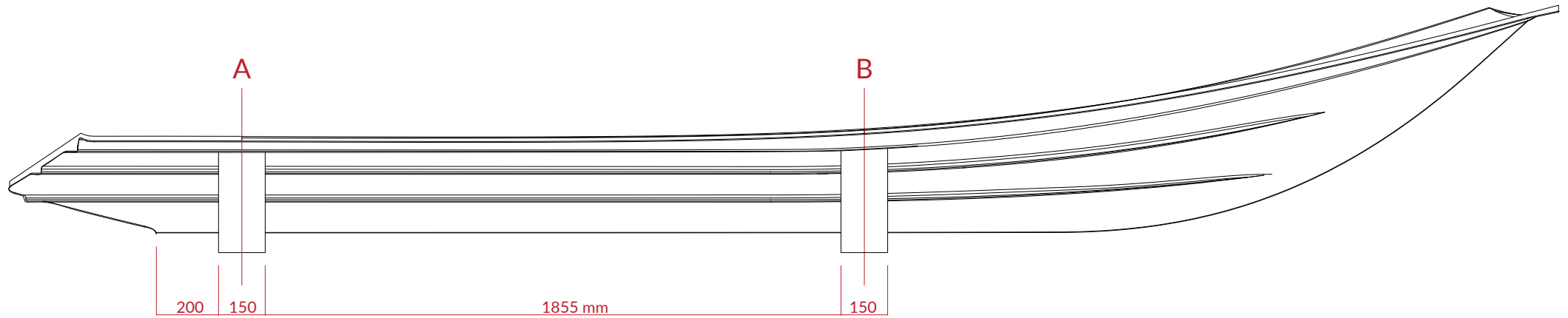
SECTION A



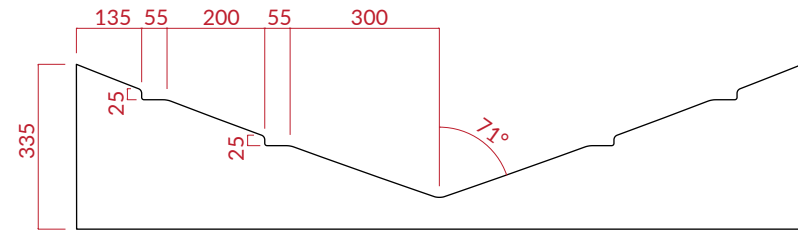
SECTION B

measurements in mm

NORTHSTAR[★] AXIS 5.3



SECTION A



SECTION B

measurements in mm