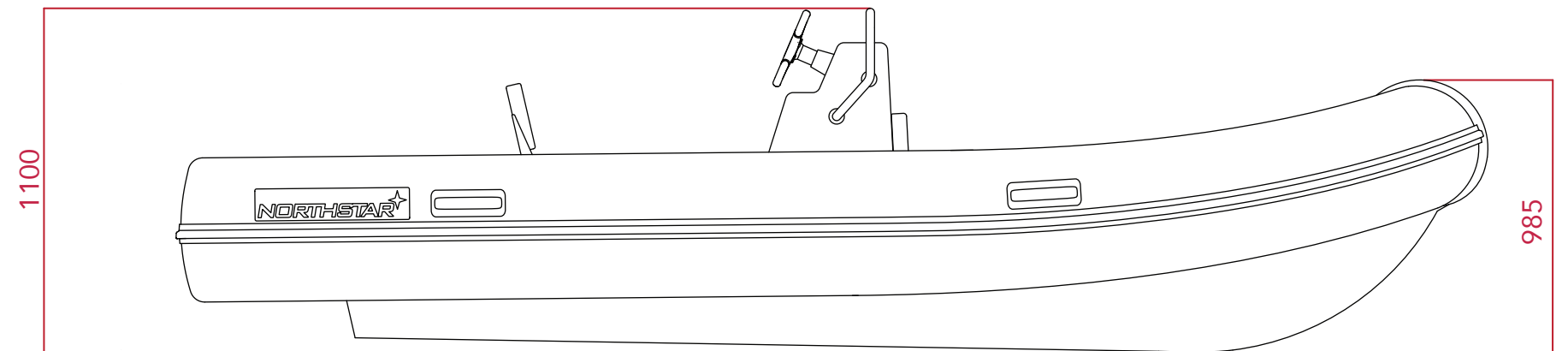
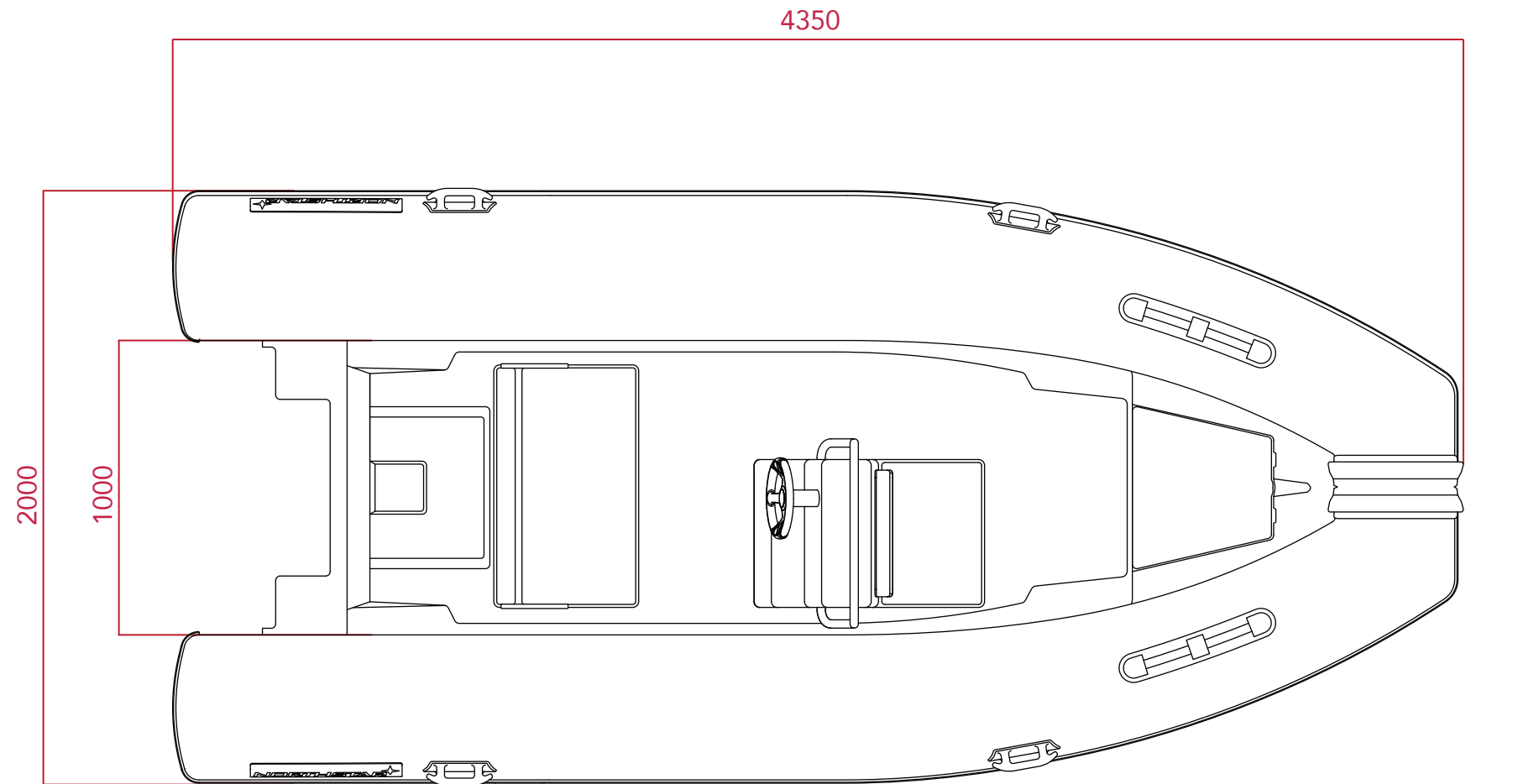


NORTHSTAR[★] CORE 4.35

Specifications

Length	4.35 m. / 14'3"
Beam	2 m. / 6'6"
Weight	180 kg. / 396 lbs
Tube Diameter	0.48 m. / 18.8"
Suggested Tube Pressure	0.18 bar / 2.6 psi
No. of Chambers	4
Maximum Persons	7
Minimum Power	30 HP
Maximum Power	50 HP
Recommended Power	40 HP
Shaft Length	L
Fuel Tank Capacity	-
Design Category	CE - Cat. C



measurements in mm